

**769-N9V
769-N9W**

COUNTER STACKER

with compensated stacking



Superior Engineering - Superior Quality - Superior Performance

769-N9V/769-N9W COUNTER STACKER

The new 769-N9V and 769-N9W stackers have been designed for a wide range of applications.

Both versions integrate an infeed ramp 983-A with belts and eject gate 983-B.

Minimal space requirements and excellent quality stacks.

Operator interface with a touch screen panel for easy set-up of job parameters.

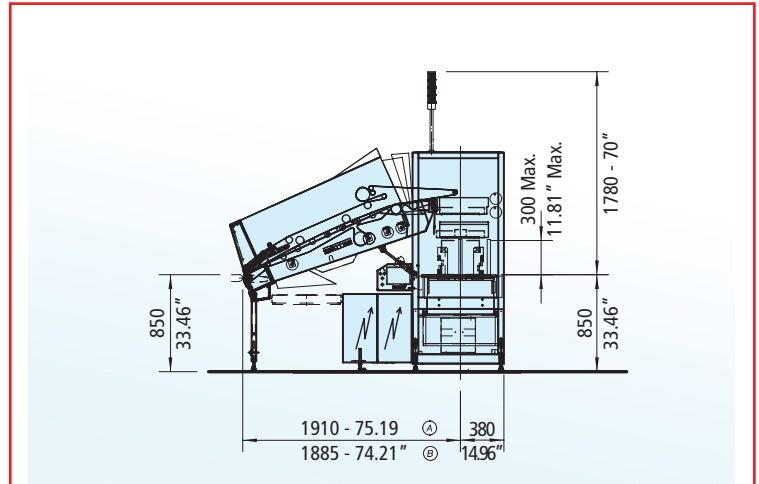
Features:

- Heavy duty design
- Minimal drop distance
- Extremely reliable
- Quick change-over
- Stepper motor drop gate drive
- Minimal maintenance
- Caster-mounted (on request)
- Automatic change-over (on request)
- JDF compliance option

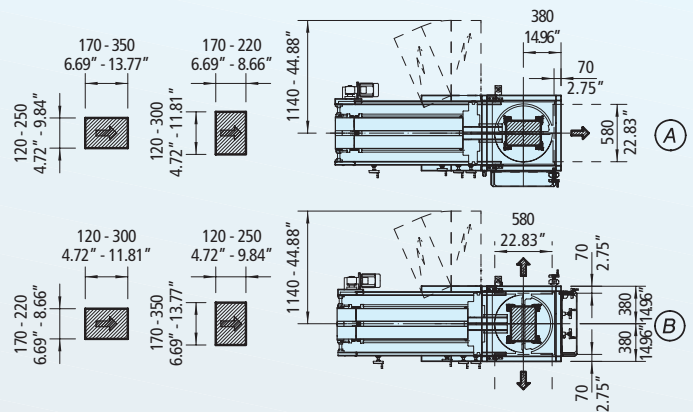
TECHNICAL DATA

Product Size	See Chart
Product Thickness:	Min. 1 mm (0.03") - Max. 70 mm (2.75")
Operating Speed:	Up to 15,000 products per hours
Pusher Cycle Time:	1.33 Sec.
Total Stack Height:	150 mm (5.90") - 230 mm (9.05") 300 mm (11.81")
Infeed Height:	Min. 850 mm (33.46") - Max. 1150 mm (45.27")
Delivery Table Height:	Min. 850 mm (33.46")
Discharge:	Right, left or straight out
Electrical:	4.5 Kw
Air Requirement:	150 L/min @ 6 bar (6 cfm @ 80 psi)
Weight:	1350 kg (2976 lb)

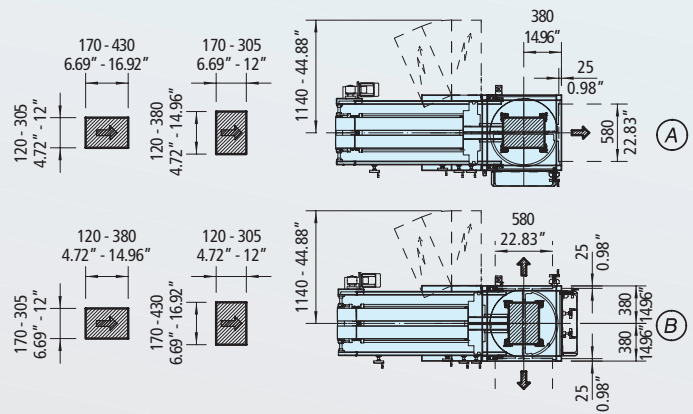
The above data are not binding



769-N9V



769-N9W



Sitma Machinery S.p.A.
Via Vignolese, 1927 - 1910
41057 Spilamberto (MO) Italy
Tel. +39 059 780 311 - Fax +39 059 780 300
sitma@sitma.it - www.sitma.com