

M111

MULTIFEEDER/ COLLATOR



sitma[®]

Superior Engineering - Superior Quality - Superior Performance

M111 MULTIFEEDER/COLLATOR

- High speed Multifeeder/Collator to collate precut or prefolded sheets, magazines, cards, envelopes.
- The module is equipped with up to 6 inclined feeders driven by servo motors.
- It may be used to expand the inserting or collating capacities of an existing line or work as a stand-alone system.

TECHNICAL DATA

Module M111 for up to 6 feeders 11-F

Product Size: Min. 100 x 150 mm (3.93"x5.90")
Max. 250 x 350 mm (9.84"x13.77")

Max. Thickness: Up to 20 mm (0.78")

Max. Speed: Up to 15,000 products per hour

Feeder 11-F

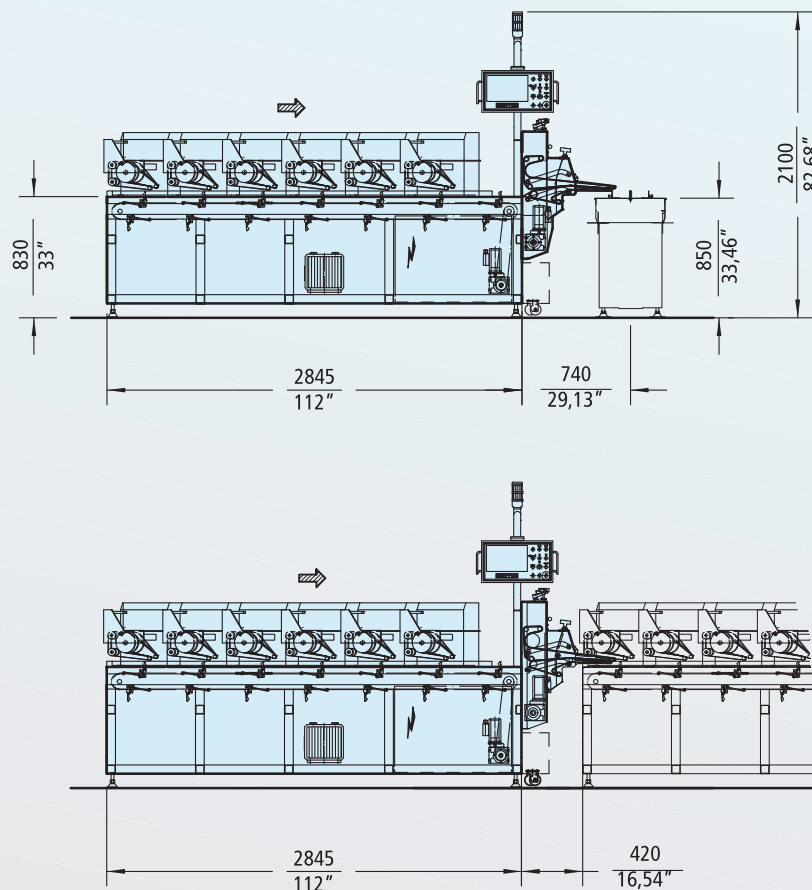
Product Size: Min. 100 x 150 mm (3.93"x5.90")
Max. 250 x 350 mm (9.84"x13.77")

Product Thickness per Feeder: 1 - 5 mm (0.19")

Max. Speed: Up to 15,000 products per hour

The above data are not binding

www.sitmagrafia.com - 50850068



Sitma Machinery S.p.A.
Via Vignolese, 1927-1910
41057 Spilamberto (MO) Italy
Tel. +39 059 780 311 - Fax +39 059 780 300
sitma@sitma.it - www.sitma.com