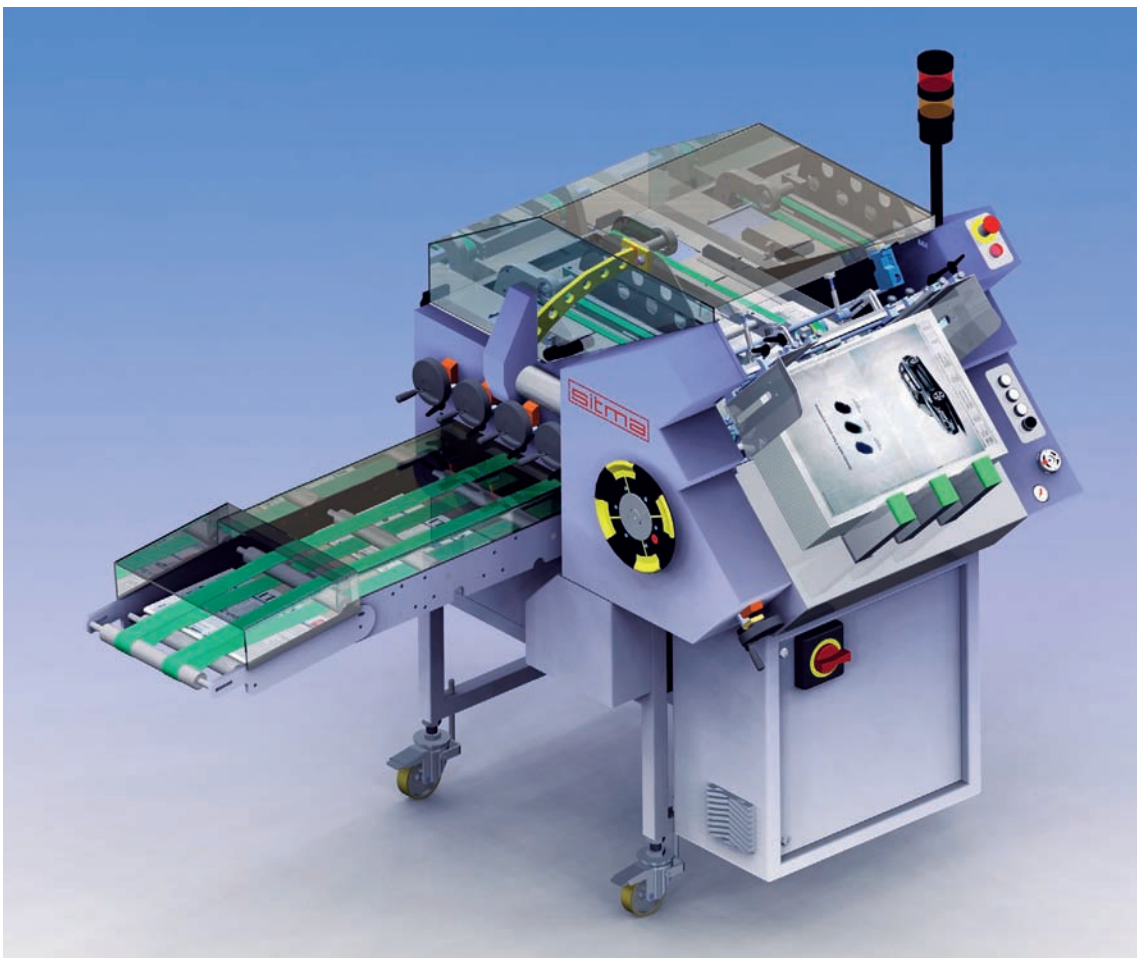


FF-975

NEWSPAPER QUARTER FOLDER



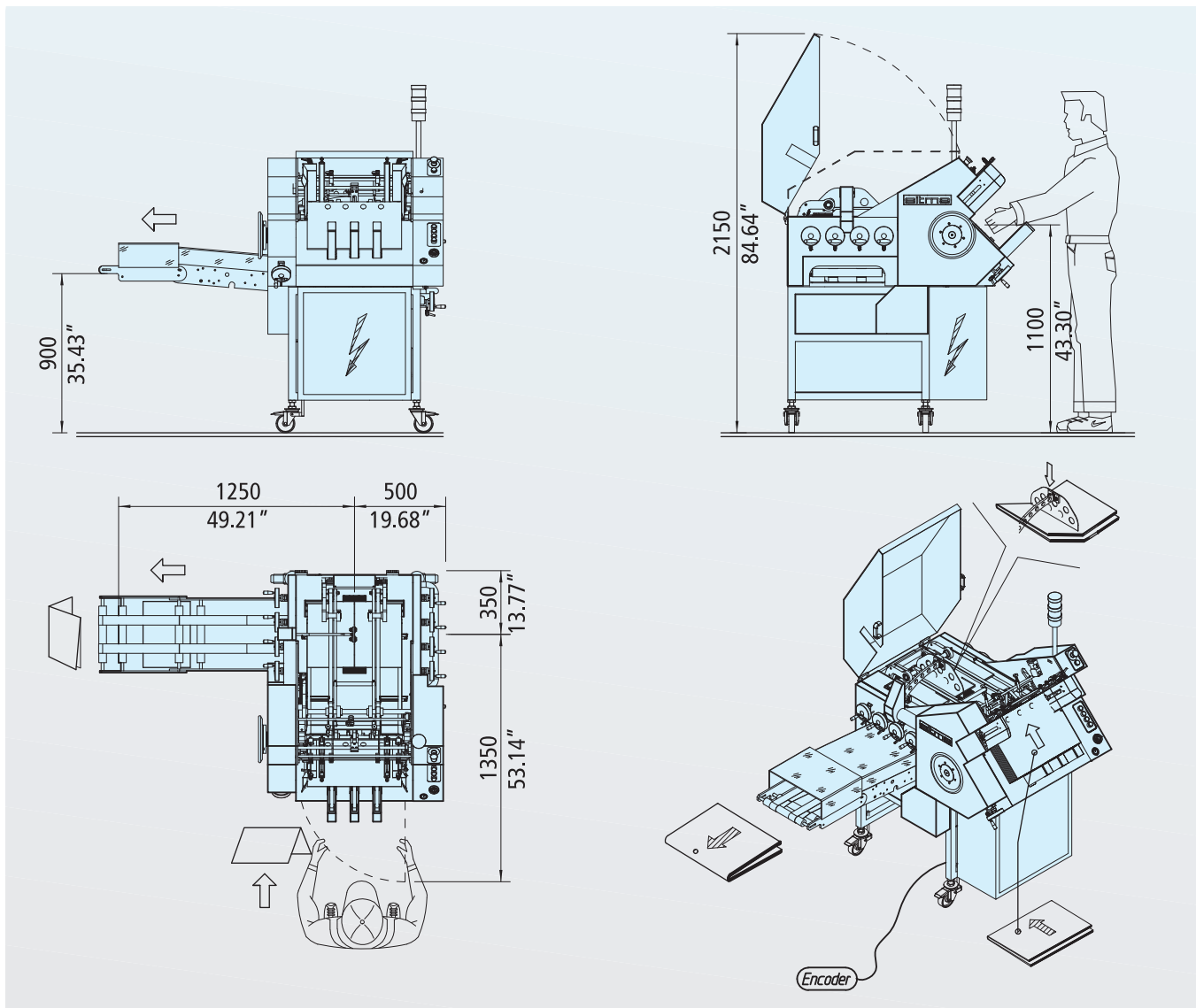
Servo driven quarter folder for inline operation with a polywrapping machine or stand-alone operation

sitma[®]

Superior Engineering - Superior Quality - Superior Performance

FF-975 NEWSPAPER QUARTER FOLDER

5/08 - FF-975 - 1000 - GB www.ipdittoitaliafg.com



TECHNICAL DATA

Folding possibilities

Length:	310 – 500 mm - (12.20" – 19.68")
Width:	200 – 350 mm - (7.87" – 13.77")
Nr. of pages:	from 16 to 72 (or more depending on paper weight)
Speed:	up to 200 Products/Minute

The above data are not binding

Machine dimensions

Height:	2150 mm (84.64")
Width:	1700 mm (66.92")
Length:	1750 mm (68.89")
Installed power:	1,6 Kw
Total weight:	430 kg



Sitma Machinery S.p.A.
 Via Vignolese, 1927 - 1910
 41057 Spilamberto (MO) Italy
 Tel. +39 059 780 311 - Fax +39 059 780 300
 sitma@sitma.it - www.sitma.com